

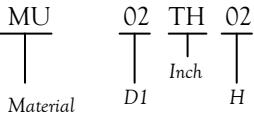
# MU

# SELF-LUBRICATED BEARINGS

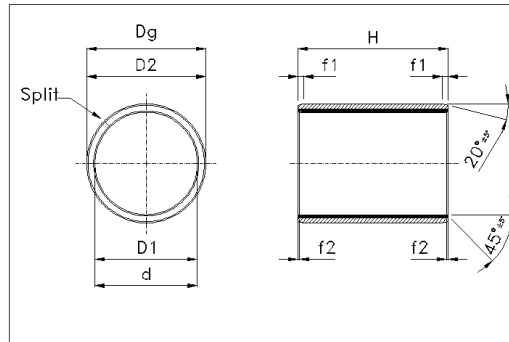
INCH SIZES

Cylindrical Plain Bearings  
dimension according to ISO 3547

Part Number Structure:



General Tolerances:  
Length (H) = ±0.010



Available from stock

| Part Number | D1     | D2     | H      | D1 (After Assembly) | Dg (Housing Recommended) | d (Shaft Recommended) |
|-------------|--------|--------|--------|---------------------|--------------------------|-----------------------|
| MU 02TH02   | 0.1250 | 0.1875 | 0.1250 | 0.1243 ÷ 0.1268     | 0.1873 ÷ 0.1878          | 0.1236 ÷ 0.1243       |
| MU 02TH03   |        |        | 0.1875 |                     |                          |                       |
| MU 025TH025 | 0.1563 | 0.2188 | 0.1563 | 0.1556 ÷ 0.1581     | 0.2186 ÷ 0.2191          | 0.1547 ÷ 0.1554       |
| MU 025TH04  |        |        | 0.2500 |                     |                          |                       |
| MU 03TH03   | 0.1875 | 0.2500 | 0.1875 | 0.1867 ÷ 0.1893     | 0.2497 ÷ 0.2503          | 0.1858 ÷ 0.1865       |
| MU 03TH04   |        |        | 0.2500 |                     |                          |                       |
| MU 03TH06   |        |        | 0.3750 |                     |                          |                       |
| MU 04TH04   | 0.2500 | 0.3125 | 0.2500 | 0.2492 ÷ 0.2518     | 0.3122 ÷ 0.3128          | 0.2481 ÷ 0.2490       |
| MU 04TH06   |        |        | 0.3750 |                     |                          |                       |
| MU 05TH06   | 0.3125 | 0.3750 | 0.3750 | 0.3117 ÷ 0.3143     | 0.3747 ÷ 0.3753          | 0.3106 ÷ 0.3115       |
| MU 05TH08   |        |        | 0.5000 |                     |                          |                       |
| MU 06TH03   | 0.3750 | 0.4688 | 0.1875 | 0.3742 ÷ 0.3769     | 0.4684 ÷ 0.4691          | 0.3731 ÷ 0.3740       |
| MU 06TH04   |        |        | 0.2500 |                     |                          |                       |
| MU 06TH06   |        |        | 0.3750 |                     |                          |                       |
| MU 06TH08   |        |        | 0.5000 |                     |                          |                       |
| MU 06TH10   |        |        | 0.6250 |                     |                          |                       |
| MU 06TH12   |        |        | 0.7500 |                     |                          |                       |
| MU 07TH08   | 0.4375 | 0.5313 | 0.5000 | 0.4367 ÷ 0.4394     | 0.5309 ÷ 0.5316          | 0.4355 ÷ 0.4365       |
| MU 07TH12   |        |        | 0.7500 |                     |                          |                       |
| MU 08TH04   | 0.5000 | 0.5938 | 0.2500 | 0.4992 ÷ 0.5019     | 0.5934 ÷ 0.5941          | 0.4980 ÷ 0.4990       |
| MU 08TH06   |        |        | 0.3750 |                     |                          |                       |
| MU 08TH08   |        |        | 0.5000 |                     |                          |                       |
| MU 08TH10   |        |        | 0.6250 |                     |                          |                       |
| MU 08TH12   |        |        | 0.7500 |                     |                          |                       |
| MU 08TH14   |        |        | 0.8750 |                     |                          |                       |
| MU 09TH06   | 0.5625 | 0.6563 | 0.3750 | 0.5617 ÷ 0.5644     | 0.6559 ÷ 0.6566          | 0.5605 ÷ 0.5615       |
| MU 09TH08   |        |        | 0.5000 |                     |                          |                       |
| MU 09TH10   |        |        | 0.6250 |                     |                          |                       |
| MU 09TH12   |        |        | 0.7500 |                     |                          |                       |
| MU 10TH04   | 0.6250 | 0.7188 | 0.2500 | 0.6242 ÷ 0.6270     | 0.7184 ÷ 0.7192          | 0.6230 ÷ 0.6240       |
| MU 10TH08   |        |        | 0.5000 |                     |                          |                       |
| MU 10TH10   |        |        | 0.6250 |                     |                          |                       |
| MU 10TH12   |        |        | 0.7500 |                     |                          |                       |
| MU 10TH14   |        |        | 0.8750 |                     |                          |                       |
| MU 10TH16   |        |        | 1.0000 |                     |                          |                       |
| MU 11TH14   | 0.6875 | 0.7813 | 0.8750 | 0.6867 ÷ 0.6895     | 0.7809 ÷ 0.7817          | 0.6855 ÷ 0.6865       |
| MU 12TH04   | 0.7500 | 0.8750 | 0.2500 | 0.7493 ÷ 0.7525     | 0.8747 ÷ 0.8755          | 0.7479 ÷ 0.7491       |
| MU 12TH06   |        |        | 0.3750 |                     |                          |                       |
| MU 12TH08   |        |        | 0.5000 |                     |                          |                       |
| MU 12TH10   |        |        | 0.6250 |                     |                          |                       |
| MU 12TH12   |        |        | 0.7500 |                     |                          |                       |
| MU 12TH16   |        |        | 1.0000 |                     |                          |                       |
| MU 13TH12   | 0.8125 | 0.9375 | 0.7500 | 0.8118 ÷ 0.8150     | 0.9372 ÷ 0.9380          | 0.8104 ÷ 0.8116       |

MU

SELF-LUBRICATED BEARINGS

INCH SIZES

| Part Number | D1     | D2     | H      | D1 (After Assembly) | Dg (Housing Recommended) | d (Shaft Recommended) |
|-------------|--------|--------|--------|---------------------|--------------------------|-----------------------|
| MU 13TH18   | 0.8125 | 0.9375 | 1.1250 | 0.8118 ÷ 0.8150     | 0.9372 ÷ 0.9380          | 0.8104 ÷ 0.8116       |
| MU 14TH04   | 0.8750 | 1.0000 | 0.2500 | 0.8743 ÷ 0.8775     | 0.9997 ÷ 1.0005          | 0.8729 ÷ 0.8741       |
| MU 14TH06   |        |        | 0.3750 |                     |                          |                       |
| MU 14TH12   |        |        | 0.7500 |                     |                          |                       |
| MU 14TH14   |        |        | 0.8750 |                     |                          |                       |
| MU 14TH16   |        |        | 1.0000 |                     |                          |                       |
| MU 14TH20   |        |        | 1.2500 |                     |                          |                       |
| MU 16TH06   | 1.0000 | 1.1250 | 0.3750 | 0.9992 ÷ 1.0026     | 1.1246 ÷ 1.1256          | 0.9979 ÷ 0.9991       |
| MU 16TH08   |        |        | 0.5000 |                     |                          |                       |
| MU 16TH12   |        |        | 0.7500 |                     |                          |                       |
| MU 16TH16   |        |        | 1.0000 |                     |                          |                       |
| MU 16TH20   |        |        | 1.2500 |                     |                          |                       |
| MU 16TH24   |        |        | 1.5000 |                     |                          |                       |
| MU 18TH06   | 1.1250 | 1.2813 | 0.3750 | 1.1240 ÷ 1.1278     | 1.2808 ÷ 1.2818          | 1.1226 ÷ 1.1238       |
| MU 18TH10   |        |        | 0.6250 |                     |                          |                       |
| MU 18TH12   |        |        | 0.7500 |                     |                          |                       |
| MU 18TH16   |        |        | 1.0000 |                     |                          |                       |
| MU 20TH06   | 1.2500 | 1.4063 | 0.3750 | 1.2490 ÷ 1.2528     | 1.4058 ÷ 1.4068          | 1.2472 ÷ 1.2488       |
| MU 20TH12   |        |        | 0.7500 |                     |                          |                       |
| MU 20TH14   |        |        | 0.8750 |                     |                          |                       |
| MU 20TH16   |        |        | 1.0000 |                     |                          |                       |
| MU 20TH20   |        |        | 1.2500 |                     |                          |                       |
| MU 20TH28   |        |        | 1.7500 |                     |                          |                       |
| MU 22TH12   | 1.3750 | 1.5313 | 0.7500 | 1.3740 ÷ 1.3778     | 1.5308 ÷ 1.5318          | 1.3722 ÷ 1.3738       |
| MU 22TH16   |        |        | 1.0000 |                     |                          |                       |
| MU 22TH22   |        |        | 1.3750 |                     |                          |                       |
| MU 22TH24   |        |        | 1.5000 |                     |                          |                       |
| MU 22TH28   |        |        | 1.7500 |                     |                          |                       |
| MU 24TH08   | 1.5000 | 1.6563 | 0.5000 | 1.4990 ÷ 1.5028     | 1.6558 ÷ 1.6568          | 1.4972 ÷ 1.4988       |
| MU 24TH16   |        |        | 1.0000 |                     |                          |                       |
| MU 24TH18   |        |        | 1.1250 |                     |                          |                       |
| MU 24TH20   |        |        | 1.2500 |                     |                          |                       |
| MU 24TH24   |        |        | 1.5000 |                     |                          |                       |
| MU 24TH32   |        |        | 2.0000 |                     |                          |                       |
| MU 26TH16   | 1.6250 | 1.7813 | 1.0000 | 1.6240 ÷ 1.6278     | 1.7808 ÷ 1.7818          | 1.6222 ÷ 1.6238       |
| MU 26TH24   |        |        | 1.5000 |                     |                          |                       |
| MU 28TH16   | 1.7500 | 1.9375 | 1.0000 | 1.7489 ÷ 1.7535     | 1.9371 ÷ 1.9381          | 1.7471 ÷ 1.7487       |
| MU 28TH24   |        |        | 1.5000 |                     |                          |                       |
| MU 28TH28   |        |        | 1.7500 |                     |                          |                       |
| MU 28TH32   |        |        | 2.0000 |                     |                          |                       |
| MU 30TH12   | 1.8750 | 2.0625 | 0.7500 | 1.8739 ÷ 1.8787     | 2.0621 ÷ 2.0633          | 1.8721 ÷ 1.8737       |
| MU 30TH16   |        |        | 1.0000 |                     |                          |                       |
| MU 30TH30   |        |        | 1.8750 |                     |                          |                       |
| MU 30TH36   |        |        | 2.2500 |                     |                          |                       |
| MU 32TH08   | 2.0000 | 2.1875 | 0.5000 | 1.9989 ÷ 2.0037     | 2.1871 ÷ 2.1883          | 1.9969 ÷ 1.9987       |
| MU 32TH16   |        |        | 1.0000 |                     |                          |                       |
| MU 32TH24   |        |        | 1.5000 |                     |                          |                       |
| MU 32TH28   |        |        | 1.7500 |                     |                          |                       |
| MU 32TH32   |        |        | 2.0000 |                     |                          |                       |
| MU 32TH40   |        |        | 2.5000 |                     |                          |                       |
| MU 34TH48   | 2.1250 | 2.3125 | 3.0000 | 2.1259 ÷ 2.1323     | 2.3115 ÷ 2.3127          | 2.1239 ÷ 2.1257       |
| MU 36TH28   | 2.2500 | 2.4375 | 1.7500 | 2.2509 ÷ 2.2573     | 2.4365 ÷ 2.4377          | 2.2489 ÷ 2.2507       |
| MU 36TH32   |        |        | 2.0000 |                     |                          |                       |
| MU 36TH36   |        |        | 2.2500 |                     |                          |                       |
| MU 36TH40   |        |        | 2.5000 |                     |                          |                       |

MU

SELF-LUBRICATED BEARINGS

INCH SIZES

| Part Number | D1     | D2     | H      | D1 (After Assembly) | Dg (Housing Recommended) | d (Shaft Recommended) |
|-------------|--------|--------|--------|---------------------|--------------------------|-----------------------|
| MU 36TH48   | 2.2500 | 2.4375 | 3.0000 | 2.2509 ÷ 2.2573     | 2.4365 ÷ 2.4377          | 2.2489 ÷ 2.2507       |
| MU 36TH56   |        |        | 3.5000 |                     |                          |                       |
| MU 36TH60   |        |        | 3.7500 |                     |                          |                       |
| MU 36TH64   |        |        | 4.0000 |                     |                          |                       |
| MU 36TH72   |        |        | 4.5000 |                     |                          |                       |
| MU 40TH16   | 2.5000 | 2.6875 | 1.0000 | 2.5013 ÷ 2.5077     | 2.6869 ÷ 2.6881          | 2.4993 ÷ 2.5011       |
| MU 40TH26   |        |        | 1.6250 |                     |                          |                       |
| MU 40TH32   |        |        | 2.0000 |                     |                          |                       |
| MU 40TH40   |        |        | 2.5000 |                     |                          |                       |
| MU 40TH48   |        |        | 3.0000 |                     |                          |                       |
| MU 40TH56   |        |        | 3.5000 |                     |                          |                       |
| MU 40TH60   |        |        | 3.7500 |                     |                          |                       |
| MU 40TH64   |        |        | 4.0000 |                     |                          |                       |
| MU 40TH72   |        |        | 4.5000 |                     |                          |                       |
| MU 40TH76   |        |        | 4.7500 |                     |                          |                       |
| MU 44TH32   | 2.7500 | 2.9375 | 2.0000 | 2.7502 ÷ 2.7566     | 2.9358 ÷ 2.9370          | 2.7482 ÷ 2.7500       |
| MU 44TH36   |        |        | 2.2500 |                     |                          |                       |
| MU 44TH40   |        |        | 2.5000 |                     |                          |                       |
| MU 44TH48   |        |        | 3.0000 |                     |                          |                       |
| MU 44TH56   |        |        | 3.5000 |                     |                          |                       |
| MU 44TH60   |        |        | 3.7500 |                     |                          |                       |
| MU 44TH64   |        |        | 4.0000 |                     |                          |                       |
| MU 44TH72   |        |        | 4.5000 |                     |                          |                       |
| MU 44TH76   |        |        | 4.7500 |                     |                          |                       |
| MU 44TH80   |        |        | 5.0000 |                     |                          |                       |
| MU 46TH32   | 2.8750 | 3.0625 | 2.0000 | 2.8754 ÷ 2.8819     | 3.0610 ÷ 3.0623          | 2.8734 ÷ 2.8752       |
| MU 46TH36   |        |        | 2.2500 |                     |                          |                       |
| MU 46TH40   |        |        | 2.5000 |                     |                          |                       |
| MU 46TH48   |        |        | 3.0000 |                     |                          |                       |
| MU 46TH56   |        |        | 3.5000 |                     |                          |                       |
| MU 46TH60   |        |        | 3.7500 |                     |                          |                       |
| MU 46TH64   |        |        | 4.0000 |                     |                          |                       |
| MU 46TH72   |        |        | 4.5000 |                     |                          |                       |
| MU 46TH76   |        |        | 4.7500 |                     |                          |                       |
| MU 46TH80   |        |        | 5.0000 |                     |                          |                       |
| MU 48TH32   | 3.0000 | 3.1875 | 2.0000 | 3.0002 ÷ 3.0068     | 3.1858 ÷ 3.1872          | 2.9982 ÷ 3.0000       |
| MU 48TH36   |        |        | 2.2500 |                     |                          |                       |
| MU 48TH40   |        |        | 2.5000 |                     |                          |                       |
| MU 48TH48   |        |        | 3.0000 |                     |                          |                       |
| MU 48TH56   |        |        | 3.5000 |                     |                          |                       |
| MU 48TH60   |        |        | 3.7500 |                     |                          |                       |
| MU 48TH64   |        |        | 4.0000 |                     |                          |                       |
| MU 48TH72   |        |        | 4.5000 |                     |                          |                       |
| MU 48TH76   |        |        | 4.7500 |                     |                          |                       |
| MU 48TH80   |        |        | 5.0000 |                     |                          |                       |
| MU 52TH32   | 3.2500 | 3.4375 | 2.0000 | 3.2502 ÷ 3.2568     | 3.4358 ÷ 3.4372          | 3.2480 ÷ 3.2500       |
| MU 52TH38   |        |        | 2.3750 |                     |                          |                       |
| MU 52TH40   |        |        | 2.5000 |                     |                          |                       |
| MU 52TH48   |        |        | 3.0000 |                     |                          |                       |
| MU 52TH56   |        |        | 3.5000 |                     |                          |                       |
| MU 52TH60   |        |        | 3.7500 |                     |                          |                       |
| MU 52TH64   |        |        | 4.0000 |                     |                          |                       |
| MU 52TH72   |        |        | 4.5000 |                     |                          |                       |
| MU 52TH76   |        |        | 4.7500 |                     |                          |                       |
| MU 52TH80   |        |        | 5.0000 |                     |                          |                       |

| Part Number | D1     | D2     | H      | D1 (After Assembly) | Dg (Housing Recommended) | d (Shaft Recommended) |
|-------------|--------|--------|--------|---------------------|--------------------------|-----------------------|
| MU 56TH32   | 3.5000 | 3.6875 | 2.0000 | 3.5002 ÷ 3.5068     | 3.6858 ÷ 3.6872          | 3.4978 ÷ 3.5000       |
| MU 56TH38   |        |        | 2.3750 |                     |                          |                       |
| MU 56TH40   |        |        | 2.5000 |                     |                          |                       |
| MU 56TH48   |        |        | 3.0000 |                     |                          |                       |
| MU 56TH56   |        |        | 3.5000 |                     |                          |                       |
| MU 56TH60   |        |        | 3.7500 |                     |                          |                       |
| MU 56TH64   |        |        | 4.0000 |                     |                          |                       |
| MU 56TH72   |        |        | 4.5000 |                     |                          |                       |
| MU 56TH76   |        |        | 4.7500 |                     |                          |                       |
| MU 56TH80   |        |        | 5.0000 |                     |                          |                       |
| MU 58TH32   |        |        | 3.6250 |                     |                          |                       |
| MU 58TH36   | 2.2500 |        |        |                     |                          |                       |
| MU 58TH40   | 2.5000 |        |        |                     |                          |                       |
| MU 58TH48   | 3.0000 |        |        |                     |                          |                       |
| MU 58TH56   | 3.5000 |        |        |                     |                          |                       |
| MU 58TH60   | 3.7500 |        |        |                     |                          |                       |
| MU 58TH64   | 4.0000 |        |        |                     |                          |                       |
| MU 58TH72   | 4.5000 |        |        |                     |                          |                       |
| MU 58TH76   | 4.7500 |        |        |                     |                          |                       |
| MU 58TH80   | 5.0000 |        |        |                     |                          |                       |
| MU 60TH32   | 3.7500 | 3.9375 |        | 2.0000              | 3.7502 ÷ 3.7568          | 3.9358 ÷ 3.9372       |
| MU 60TH36   |        |        | 2.2500 |                     |                          |                       |
| MU 60TH40   |        |        | 2.5000 |                     |                          |                       |
| MU 60TH48   |        |        | 3.0000 |                     |                          |                       |
| MU 60TH56   |        |        | 3.5000 |                     |                          |                       |
| MU 60TH60   |        |        | 3.7500 |                     |                          |                       |
| MU 60TH64   |        |        | 4.0000 |                     |                          |                       |
| MU 60TH72   |        |        | 4.5000 |                     |                          |                       |
| MU 60TH76   |        |        | 4.7500 |                     |                          |                       |
| MU 60TH80   |        |        | 5.0000 |                     |                          |                       |
| MU 64TH32   |        |        | 4.0000 | 4.1875              |                          |                       |
| MU 64TH36   | 2.2500 |        |        |                     |                          |                       |
| MU 64TH40   | 2.5000 |        |        |                     |                          |                       |
| MU 64TH48   | 3.0000 |        |        |                     |                          |                       |
| MU 64TH56   | 3.5000 |        |        |                     |                          |                       |
| MU 64TH60   | 3.7500 |        |        |                     |                          |                       |
| MU 64TH64   | 4.0000 |        |        |                     |                          |                       |
| MU 64TH72   | 4.5000 |        |        |                     |                          |                       |
| MU 64TH76   | 4.7500 |        |        |                     |                          |                       |
| MU 64TH80   | 5.0000 |        |        |                     |                          |                       |
| MU 68TH32   | 4.2500 | 4.4375 |        |                     | 2.0000                   | 4.2502 ÷ 4.2568       |
| MU 68TH36   |        |        | 2.2500 |                     |                          |                       |
| MU 68TH40   |        |        | 2.5000 |                     |                          |                       |
| MU 68TH48   |        |        | 3.0000 |                     |                          |                       |
| MU 68TH56   |        |        | 3.5000 |                     |                          |                       |
| MU 68TH60   |        |        | 3.7500 |                     |                          |                       |
| MU 68TH64   |        |        | 4.0000 |                     |                          |                       |
| MU 68TH72   |        |        | 4.5000 |                     |                          |                       |
| MU 68TH76   |        |        | 4.7500 |                     |                          |                       |
| MU 68TH80   |        |        | 5.0000 |                     |                          |                       |
| MU 70TH32   |        |        | 4.3750 | 4.5625              | 2.0000                   |                       |
| MU 70TH36   | 2.2500 |        |        |                     |                          |                       |
| MU 70TH40   | 2.5000 |        |        |                     |                          |                       |
| MU 70TH48   | 3.0000 |        |        |                     |                          |                       |
| MU 70TH56   | 3.5000 |        |        |                     |                          |                       |

MU

SELF-LUBRICATED BEARINGS

INCH SIZES

| Part Number | D1     | D2     | H      | D1 (After Assembly) | Dg (Housing Recommended) | d (Shaft Recommended) |
|-------------|--------|--------|--------|---------------------|--------------------------|-----------------------|
| MU 70TH60   | 4.3750 | 4.5625 | 3.7500 | 4.3752 ÷ 4.3818     | 4.5608 ÷ 4.5622          | 4.3728 ÷ 4.3750       |
| MU 70TH64   |        |        | 4.0000 |                     |                          |                       |
| MU 70TH72   |        |        | 4.5000 |                     |                          |                       |
| MU 70TH76   |        |        | 4.7500 |                     |                          |                       |
| MU 70TH80   |        |        | 5.0000 |                     |                          |                       |
| MU 72TH32   | 4.5000 | 4.6875 | 2.0000 | 4.5002 ÷ 4.5068     | 4.6858 ÷ 4.6872          | 4.4978 ÷ 4.5000       |
| MU 72TH36   |        |        | 2.2500 |                     |                          |                       |
| MU 72TH40   |        |        | 2.5000 |                     |                          |                       |
| MU 72TH48   |        |        | 3.0000 |                     |                          |                       |
| MU 72TH56   |        |        | 3.5000 |                     |                          |                       |
| MU 72TH60   |        |        | 3.7500 |                     |                          |                       |
| MU 72TH64   |        |        | 4.0000 |                     |                          |                       |
| MU 72TH72   |        |        | 4.5000 |                     |                          |                       |
| MU 72TH76   |        |        | 4.7500 |                     |                          |                       |
| MU 72TH80   |        |        | 5.0000 |                     |                          |                       |
| MU 76TH32   | 4.7500 | 4.9375 | 2.0000 | 4.7502 ÷ 4.7570     | 4.9358 ÷ 4.9374          | 4.7475 ÷ 4.7500       |
| MU 76TH36   |        |        | 2.2500 |                     |                          |                       |
| MU 76TH40   |        |        | 2.5000 |                     |                          |                       |
| MU 76TH48   |        |        | 3.0000 |                     |                          |                       |
| MU 76TH56   |        |        | 3.5000 |                     |                          |                       |
| MU 76TH60   |        |        | 3.7500 |                     |                          |                       |
| MU 76TH64   |        |        | 4.0000 |                     |                          |                       |
| MU 76TH72   |        |        | 4.5000 |                     |                          |                       |
| MU 76TH76   |        |        | 4.7500 |                     |                          |                       |
| MU 76TH80   |        |        | 5.0000 |                     |                          |                       |
| MU 80TH32   | 5.0000 | 5.1875 | 2.0000 | 4.9988 ÷ 5.0056     | 5.1844 ÷ 5.1860          | 4.9961 ÷ 4.9986       |
| MU 80TH36   |        |        | 2.2500 |                     |                          |                       |
| MU 80TH40   |        |        | 2.5000 |                     |                          |                       |
| MU 80TH48   |        |        | 3.0000 |                     |                          |                       |
| MU 80TH56   |        |        | 3.5000 |                     |                          |                       |
| MU 80TH60   |        |        | 3.7500 |                     |                          |                       |
| MU 80TH64   |        |        | 4.0000 |                     |                          |                       |
| MU 80TH72   |        |        | 4.5000 |                     |                          |                       |
| MU 80TH76   |        |        | 4.7500 |                     |                          |                       |
| MU 80TH80   |        |        | 5.0000 |                     |                          |                       |
| MU 84TH32   | 5.2500 | 5.4375 | 2.0000 | 5.2502 ÷ 5.2570     | 5.4358 ÷ 5.4374          | 5.2475 ÷ 5.2500       |
| MU 84TH36   |        |        | 2.2500 |                     |                          |                       |
| MU 84TH40   |        |        | 2.5000 |                     |                          |                       |
| MU 84TH48   |        |        | 3.0000 |                     |                          |                       |
| MU 84TH56   |        |        | 3.5000 |                     |                          |                       |
| MU 84TH60   |        |        | 3.7500 |                     |                          |                       |
| MU 84TH64   |        |        | 4.0000 |                     |                          |                       |
| MU 84TH72   |        |        | 4.5000 |                     |                          |                       |
| MU 84TH76   |        |        | 4.7500 |                     |                          |                       |
| MU 84TH80   |        |        | 5.0000 |                     |                          |                       |
| MU 88TH32   | 5.5000 | 5.6875 | 2.0000 | 5.5002 ÷ 5.5070     | 5.6858 ÷ 5.6874          | 5.4975 ÷ 5.5000       |
| MU 88TH36   |        |        | 2.2500 |                     |                          |                       |
| MU 88TH40   |        |        | 2.5000 |                     |                          |                       |
| MU 88TH48   |        |        | 3.0000 |                     |                          |                       |
| MU 88TH56   |        |        | 3.5000 |                     |                          |                       |
| MU 88TH60   |        |        | 3.7500 |                     |                          |                       |
| MU 88TH64   |        |        | 4.0000 |                     |                          |                       |
| MU 88TH72   |        |        | 4.5000 |                     |                          |                       |
| MU 88TH76   |        |        | 4.7500 |                     |                          |                       |
| MU 88TH80   |        |        | 5.0000 |                     |                          |                       |

MU

SELF-LUBRICATED BEARINGS

INCH SIZES

| Part Number | D1     | D2     | H      | D1 (After Assembly) | Dg (Housing Recommended) | d (Shaft Recommended) |
|-------------|--------|--------|--------|---------------------|--------------------------|-----------------------|
| MU 92TH32   | 5.7500 | 5.9375 | 2.0000 | 5.7502 ÷ 5.7570     | 5.9358 ÷ 5.9374          | 5.7475 ÷ 5.7500       |
| MU 92TH36   |        |        | 2.2500 |                     |                          |                       |
| MU 92TH40   |        |        | 2.5000 |                     |                          |                       |
| MU 92TH48   |        |        | 3.0000 |                     |                          |                       |
| MU 92TH56   |        |        | 3.5000 |                     |                          |                       |
| MU 92TH60   |        |        | 3.7500 |                     |                          |                       |
| MU 92TH64   |        |        | 4.0000 |                     |                          |                       |
| MU 92TH72   |        |        | 4.5000 |                     |                          |                       |
| MU 92TH76   |        |        | 4.7500 |                     |                          |                       |
| MU 92TH80   |        |        | 5.0000 |                     |                          |                       |
| MU 96TH32   | 6.0000 | 6.1875 | 2.0000 | 6.0002 ÷ 6.0070     | 6.1858 ÷ 6.1874          | 5.9975 ÷ 6.0000       |
| MU 96TH36   |        |        | 2.2500 |                     |                          |                       |
| MU 96TH40   |        |        | 2.5000 |                     |                          |                       |
| MU 96TH48   |        |        | 3.0000 |                     |                          |                       |
| MU 96TH56   |        |        | 3.5000 |                     |                          |                       |
| MU 96TH60   |        |        | 3.7500 |                     |                          |                       |
| MU 96TH64   |        |        | 4.0000 |                     |                          |                       |
| MU 96TH72   |        |        | 4.5000 |                     |                          |                       |
| MU 96TH76   |        |        | 4.7500 |                     |                          |                       |
| MU 96TH80   |        |        | 5.0000 |                     |                          |                       |
| MU 100TH32  | 6.2500 | 6.4375 | 2.0000 | 6.2502 ÷ 6.2570     | 6.4358 ÷ 6.4374          | 6.2475 ÷ 6.2500       |
| MU 100TH36  |        |        | 2.2500 |                     |                          |                       |
| MU 100TH40  |        |        | 2.5000 |                     |                          |                       |
| MU 100TH48  |        |        | 3.0000 |                     |                          |                       |
| MU 100TH56  |        |        | 3.5000 |                     |                          |                       |
| MU 100TH60  |        |        | 3.7500 |                     |                          |                       |
| MU 100TH64  |        |        | 4.0000 |                     |                          |                       |
| MU 100TH72  |        |        | 4.5000 |                     |                          |                       |
| MU 100TH76  |        |        | 4.7500 |                     |                          |                       |
| MU 100TH80  |        |        | 5.0000 |                     |                          |                       |
| MU 104TH32  | 6.5000 | 6.6875 | 2.0000 | 6.5002 ÷ 6.5070     | 6.6858 ÷ 6.6874          | 6.4975 ÷ 6.5000       |
| MU 104TH36  |        |        | 2.2500 |                     |                          |                       |
| MU 104TH40  |        |        | 2.5000 |                     |                          |                       |
| MU 104TH48  |        |        | 3.0000 |                     |                          |                       |
| MU 104TH56  |        |        | 3.5000 |                     |                          |                       |
| MU 104TH60  |        |        | 3.7500 |                     |                          |                       |
| MU 104TH64  |        |        | 4.0000 |                     |                          |                       |
| MU 104TH72  |        |        | 4.5000 |                     |                          |                       |
| MU 104TH76  |        |        | 4.7500 |                     |                          |                       |
| MU 104TH80  |        |        | 5.0000 |                     |                          |                       |
| MU 108TH32  | 6.7500 | 6.9375 | 2.0000 | 6.7502 ÷ 6.7570     | 6.9358 ÷ 6.9374          | 6.7475 ÷ 6.7500       |
| MU 108TH36  |        |        | 2.2500 |                     |                          |                       |
| MU 108TH40  |        |        | 2.5000 |                     |                          |                       |
| MU 108TH48  |        |        | 3.0000 |                     |                          |                       |
| MU 108TH56  |        |        | 3.5000 |                     |                          |                       |
| MU 108TH60  |        |        | 3.7500 |                     |                          |                       |
| MU 108TH64  |        |        | 4.0000 |                     |                          |                       |
| MU 108TH72  |        |        | 4.5000 |                     |                          |                       |
| MU 108TH76  |        |        | 4.7500 |                     |                          |                       |
| MU 108TH80  |        |        | 5.0000 |                     |                          |                       |
| MU 112TH32  | 7.0000 | 7.1875 | 2.0000 | 6.9965 ÷ 7.0026     | 7.1812 ÷ 7.1830          | 6.9929 ÷ 6.9954       |
| MU 112TH36  |        |        | 2.2500 |                     |                          |                       |
| MU 112TH40  |        |        | 2.5000 |                     |                          |                       |
| MU 112TH48  |        |        | 3.0000 |                     |                          |                       |
| MU 112TH56  |        |        | 3.5000 |                     |                          |                       |

# MU

# SELF-LUBRICATED BEARINGS

INCH SIZES

| Part Number | D1     | D2     | H      | D1 (After Assembly) | Dg (Housing Recommended) | d (Shaft Recommended) |
|-------------|--------|--------|--------|---------------------|--------------------------|-----------------------|
| MU 112TH60  | 7.0000 | 7.1875 | 3.7500 | 6.9965 ÷ 7.0026     | 7.1812 ÷ 7.1830          | 6.9929 ÷ 6.9954       |
| MU 112TH64  |        |        | 4.0000 |                     |                          |                       |
| MU 112TH72  |        |        | 4.5000 |                     |                          |                       |
| MU 112TH76  |        |        | 4.7500 |                     |                          |                       |
| MU 112TH80  |        |        | 5.0000 |                     |                          |                       |

*Chamfers General Tollerances:*

| Part Number | Part Number | f1              | f2              |
|-------------|-------------|-----------------|-----------------|
| MU 02TH02   | MU 05TH08   | 0.0078 ÷ 0.0314 | 0.0039 ÷ 0.0157 |
| MU 06TH03   | MU 11TH14   | 0.0078 ÷ 0.0939 | 0.0039 ÷ 0.0196 |
| MU 12TH04   | MU 16TH24   | 0.0078 ÷ 0.0939 | 0.0039 ÷ 0.0275 |
| MU 18TH06   | MU 26TH24   | 0.0314 ÷ 0.0629 | 0.0039 ÷ 0.0275 |
| MU 28TH16   | MU 112TH80  | 0.0472 ÷ 0.0944 | 0.0078 ÷ 0.0393 |