

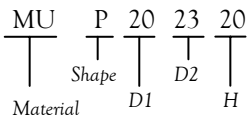
MU

SELF-LUBRICATED BEARINGS

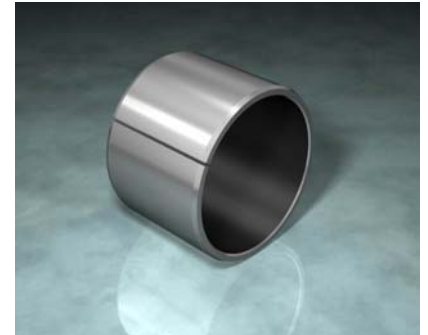
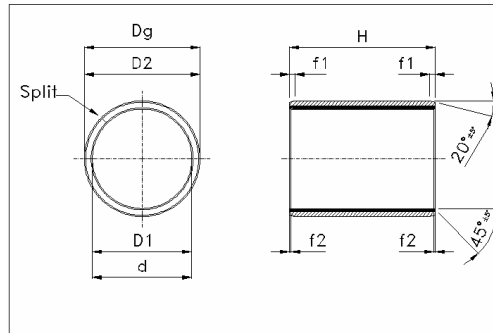
METRIC SIZES

Cylindrical Plain Bearings
dimension according to ISO 3547

Part Number Structure:



General Tolerances:
Length (H) = ± 0.25



Available from stock

Part Number	D1	D2	H	D1 (After Assembly)	Dg (Housing Recommended)	d (Shaft Recommended)
MU P 034.503	03	4.5	03	3.000 ÷ 3.048	4.500 ÷ 4.508	2.994 ÷ 3.000
MU P 034.504			04			
MU P 034.505			05			
MU P 034.506			06			
MU P 045.503	04	5.5	03	4.000 ÷ 4.048	5.500 ÷ 5.508	3.992 ÷ 4.000
MU P 045.504			04			
MU P 045.506			06			
MU P 045.510			10			
MU P 050705	05	07	05	4.990 ÷ 5.055	7.000 ÷ 7.015	4.978 ÷ 4.990
MU P 050708			08			
MU P 050710			10			
MU P 060804	06	08	04	5.990 ÷ 6.055	8.000 ÷ 8.015	5.978 ÷ 5.990
MU P 060806			06			
MU P 060808			08			
MU P 070910	07	09	10	6.990 ÷ 7.055	9.000 ÷ 9.015	6.972 ÷ 6.987
MU P 081006	08	10	06	7.990 ÷ 8.055	10.000 ÷ 10.015	7.972 ÷ 7.987
MU P 081008			08			
MU P 081010			10			
MU P 081012			12			
MU P 101208	10	12	08	9.990 ÷ 10.058	12.000 ÷ 12.018	9.972 ÷ 9.987
MU P 101210			10			
MU P 101212			12			
MU P 101215			15			
MU P 101220			20			
MU P 121408	12	14	08	11.990 ÷ 12.058	14.000 ÷ 14.018	11.966 ÷ 11.984
MU P 121410			10			
MU P 121412			12			
MU P 121415			15			
MU P 121420			20			
MU P 121425			25			
MU P 131510	13	15	10	12.990 ÷ 13.058	15.000 ÷ 15.018	12.966 ÷ 12.984
MU P 131520			20			
MU P 141605	14	16	05	13.990 ÷ 14.058	16.000 ÷ 16.018	13.966 ÷ 13.984
MU P 141610			10			
MU P 141612			12			
MU P 141615			15			
MU P 141620			20			
MU P 141625			25			
MU P 151710	15	17	10	14.990 ÷ 15.058	17.000 ÷ 17.018	14.966 ÷ 14.984
MU P 151712			12			
MU P 151715			15			
MU P 151720			20			
MU P 151725			25			

Part Number	D1	D2	H	D1 (After Assembly)	Dg (Housing Recommended)	d (Shaft Recommended)
MU P 161810	16	18	10	15.990 ÷ 16.058	18.000 ÷ 18.018	15.966 ÷ 15.984
MU P 161812			12			
MU P 161815			15			
MU P 161820			20			
MU P 161825			25			
MU P 171915	17	19	15	16.990 ÷ 17.058	19.000 ÷ 19.021	16.966 ÷ 16.984
MU P 171920			20			
MU P 182010	18	20	10	17.990 ÷ 18.061	20.000 ÷ 20.021	17.966 ÷ 17.984
MU P 182015			15			
MU P 182020			20			
MU P 182025			25			
MU P 202210	20	22	10	19.990 ÷ 20.061	22.000 ÷ 22.021	19.959 ÷ 19.980
MU P 202215			15			
MU P 202220			20			
MU P 202310	20	23	10	19.990 ÷ 20.071	23.000 ÷ 23.021	19.959 ÷ 19.980
MU P 202315			15			
MU P 202320			20			
MU P 202325			25			
MU P 202330			30			
MU P 222515	22	25	15	21.990 ÷ 22.071	25.000 ÷ 25.021	21.959 ÷ 21.980
MU P 222520			20			
MU P 222525			25			
MU P 222530			30			
MU P 242715	24	27	15	23.990 ÷ 24.071	27.000 ÷ 27.021	23.959 ÷ 23.980
MU P 242720			20			
MU P 242725			25			
MU P 242730			30			
MU P 242815	24	28	15	23.990 ÷ 24.081	28.000 ÷ 28.021	23.959 ÷ 23.980
MU P 242820			20			
MU P 242825			25			
MU P 242830			30			
MU P 252812	25	28	12	24.990 ÷ 25.071	28.000 ÷ 28.021	24.959 ÷ 24.980
MU P 252815			15			
MU P 252820			20			
MU P 252825			25			
MU P 252830			30			
MU P 252850			50			
MU P 283215	28	32	15	27.990 ÷ 28.085	32.000 ÷ 32.025	27.959 ÷ 27.980
MU P 283220			20			
MU P 283225			25			
MU P 283230			30			
MU P 303410	30	34	10	29.990 ÷ 30.085	34.000 ÷ 34.025	29.959 ÷ 29.980
MU P 303415			15			
MU P 303420			20			
MU P 303425			25			
MU P 303430			30			
MU P 303440			40			
MU P 3236620	32	36	20	31.990 ÷ 32.085	36.000 ÷ 36.025	31.950 ÷ 31.975
MU P 323630			30			
MU P 323640			40			
MU P 353920	35	39	20	34.990 ÷ 35.085	39.000 ÷ 39.025	34.950 ÷ 34.975
MU P 353930			30			
MU P 353935			35			
MU P 353940			40			
MU P 353950			50			

Part Number	D1	D2	H	D1 (After Assembly)	Dg (Housing Recommended)	d (Shaft Recommended)
MU P 374120	37	41	20	36.990 ÷ 37.085	41.000 ÷ 41.025	36.950 ÷ 36.975
MU P 404420	40	44	20	39.990 ÷ 40.085	44.000 ÷ 44.025	39.950 ÷ 39.975
MU P 404430			30			
MU P 404440			40			
MU P 404445			45			
MU P 404450			50			
MU P 45505020	45	50	20	44.990 ÷ 45.105	50.000 ÷ 50.025	44.950 ÷ 44.975
MU P 4530			30			
MU P 455040			40			
MU P 455045			45			
MU P 455050			50			
MU P 505520	50	55	20	49.990 ÷ 50.110	55.000 ÷ 55.030	49.950 ÷ 49.975
MU P 505525			25			
MU P 505530			30			
MU P 505540			40			
MU P 505550			50			
MU P 505560			60			
MU P 556020	55	60	20	54.990 ÷ 55.110	60.000 ÷ 60.030	54.940 ÷ 54.970
MU P 556025			25			
MU P 556030			30			
MU P 556040			40			
MU P 556050			50			
MU P 556055			55			
MU P 556060			60			
MU P 606520	60	65	20	59.990 ÷ 60.110	65.000 ÷ 65.030	59.940 ÷ 59.970
MU P 606530			30			
MU P 606540			40			
MU P 606550			50			
MU P 606560			60			
MU P 606570			70			
MU P 657030	65	70	30	64.990 ÷ 65.110	70.000 ÷ 70.030	64.940 ÷ 64.970
MU P 657040			40			
MU P 657050			50			
MU P 657070			70			
MU P 707540	70	75	40	69.990 ÷ 70.110	75.000 ÷ 75.030	69.940 ÷ 69.970
MU P 707550			50			
MU P 707560			60			
MU P 707570			70			
MU P 758040	75	80	40	74.990 ÷ 75.110	80.000 ÷ 80.030	74.940 ÷ 74.970
MU P 758050			50			
MU P 758060			60			
MU P 758070			70			
MU P 758080			80			
MU P 808560	80	85	60	80.020 ÷ 80.155	85.000 ÷ 85.035	79.954 ÷ 80.000
MU P 808580			80			
MU P 8085100			100			
MU P 859030	85	90	30	85.020 ÷ 85.155	90.000 ÷ 90.035	84.946 ÷ 85.000
MU P 859060			60			
MU P 8590100			100			
MU P 909560	90	95	60	90.020 ÷ 90.155	95.000 ÷ 95.035	89.946 ÷ 90.000
MU P 9095100			100			
MU P 9510060	95	100	60	95.020 ÷ 95.155	100.000 ÷ 100.035	94.946 ÷ 95.000
MU P 95100100			100			
MU P 10010550	100	105	50	100.020 ÷ 100.155	105.000 ÷ 105.035	99.946 ÷ 100.000
MU P 10010560			60			

Part Number	D1	D2	H	D1 (After Assembly)	Dg (Housing Recommended)	d (Shaft Recommended)
MU P 10010570	100	105	70	100.020 ÷ 100.155	105.000 ÷ 105.035	99.946 ÷ 100.000
MU P 10010580			80			
MU P 100105100			100			
MU P 100105115			115			
MU P 10511060	105	110	60	105.020 ÷ 105.155	110.000 ÷ 110.035	104.946 ÷ 105.000
MU P 105110100			100			
MU P 105110115			115			
MU P 11011560	110	115	60	110.020 ÷ 110.155	115.000 ÷ 115.035	109.946 ÷ 110.000
MU P 110115100			100			
MU P 110115115			115			
MU P 11512050	115	120	50	115.020 ÷ 115.155	120.000 ÷ 120.035	114.946 ÷ 115.000
MU P 11512060			60			
MU P 11512070			70			
MU P 115120115			115			
MU P 12012550	120	125	50	120.070 ÷ 120.210	125.000 ÷ 125.040	119.946 ÷ 120.000
MU P 12012560			60			
MU P 120125100			100			
MU P 12513060	125	130	60	125.070 ÷ 125.210	130.000 ÷ 130.040	124.937 ÷ 125.000
MU P 125130100			100			
MU P 13013560	130	135	60	130.070 ÷ 130.210	135.000 ÷ 135.040	129.937 ÷ 130.000
MU P 130135100			100			
MU P 13514060	135	140	60	135.070 ÷ 135.210	140.000 ÷ 140.040	134.937 ÷ 135.000
MU P 13514080			80			
MU P 135140100			100			
MU P 14014560	140	145	60	140.070 ÷ 140.210	145.000 ÷ 145.040	139.937 ÷ 140.000
MU P 140145100			100			
MU P 14515060	145	150	60	145.070 ÷ 145.210	150.000 ÷ 150.040	144.937 ÷ 145.000
MU P 145150100			100			
MU P 15015560	150	155	60	150.070 ÷ 150.210	155.000 ÷ 155.040	149.937 ÷ 150.000
MU P 15015580			80			
MU P 150155100			100			
MU P 15516060	155	160	60	155.070 ÷ 155.210	160.000 ÷ 160.040	154.937 ÷ 155.000
MU P 155160100			100			
MU P 16016560	160	165	60	160.070 ÷ 160.210	165.000 ÷ 165.040	159.937 ÷ 160.000
MU P 16016580			80			
MU P 160165100			100			
MU P 16517060	165	170	60	165.070 ÷ 165.210	170.000 ÷ 170.040	164.937 ÷ 165.000
MU P 165170100			100			
MU P 17017560	170	175	60	170.070 ÷ 170.210	175.000 ÷ 175.040	169.937 ÷ 170.000
MU P 170175100			100			
MU P 17518060	175	180	60	175.070 ÷ 175.210	180.000 ÷ 180.040	174.937 ÷ 175.000
MU P 175180100			100			
MU P 18018560	180	185	60	180.070 ÷ 180.216	185.000 ÷ 185.046	179.937 ÷ 180.000
MU P 18018580			80			
MU P 180185100			100			
MU P 19019560	190	195	60	190.070 ÷ 190.216	195.000 ÷ 195.046	189.928 ÷ 190.000
MU P 190195100			100			
MU P 20020560	200	205	60	200.070 ÷ 200.216	205.000 ÷ 205.046	199.928 ÷ 200.000
MU P 200205100			100			
MU P 20521060	205	210	60	205.070 ÷ 205.216	210.000 ÷ 210.046	204.928 ÷ 205.000
MU P 205210100			100			
MU P 21021560	210	215	60	210.070 ÷ 210.216	215.000 ÷ 215.046	209.928 ÷ 210.000
MU P 210215100			100			
MU P 21522060	215	220	60	215.070 ÷ 215.216	220.000 ÷ 220.046	214.928 ÷ 215.000
MU P 215220100			100			

MU

SELF-LUBRICATED BEARINGS

METRIC SIZES

Part Number	D1	D2	H	D1 (After Assembly)	Dg (Housing Recommended)	d (Shaft Recommended)
MU P 22022560	220	225	60	220.070 ÷ 220.216	225.000 ÷ 225.046	219.928 ÷ 220.000
MU P 220225100			100			
MU P 23023560	230	235	60	230.070 ÷ 230.216	235.000 ÷ 235.046	229.928 ÷ 230.000
MU P 230235100			100			
MU P 24024560	240	245	60	240.070 ÷ 240.216	245.000 ÷ 245.046	239.928 ÷ 240.000
MU P 240245100			100			
MU P 25025560	250	255	60	250.070 ÷ 250.222	255.000 ÷ 255.052	249.928 ÷ 250.000
MU P 250255100			100			
MU P 28028560	280	285	60	280.070 ÷ 280.222	285.000 ÷ 285.052	279.919 ÷ 280.000
MU P 280285100			100			
MU P 30030560	300	305	60	300.070 ÷ 300.222	305.000 ÷ 305.052	299.919 ÷ 300.000
MU P 300305100			100			

Chamfers General Tolerances:

Part Number	Part Number	f1	f2
MU P 034.503	MU P 045.510	0.20÷0.80	0.10÷0.40
MU P 050705	MU P 182025	0.20÷1.00	0.10÷0.50
MU P 202310	MU P 252850	0.20÷1.00	0.10÷0.70
MU P 283215	MU P 404450	0.80÷1.60	0.10÷0.70
MU P 455020	MU P 300305100	1.20÷2.40	0.20÷1.00